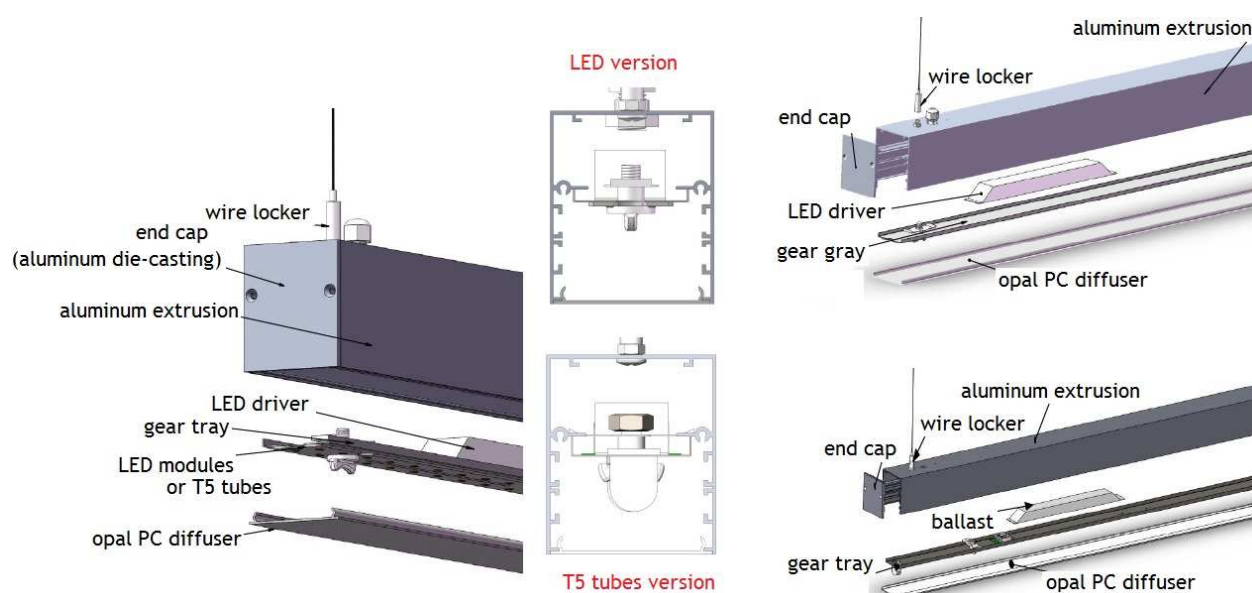


## L21 (linear lighting fixtures, pendant version, width 95mm height 80mm)



### Features

simple design, comfortable performance

### Applications

Commercial / Retail / Shops/Office/others

### Finishing

Anodizing, silver gray,  
white, black, etc.,  
according to customers' color specimen.

### Accessories

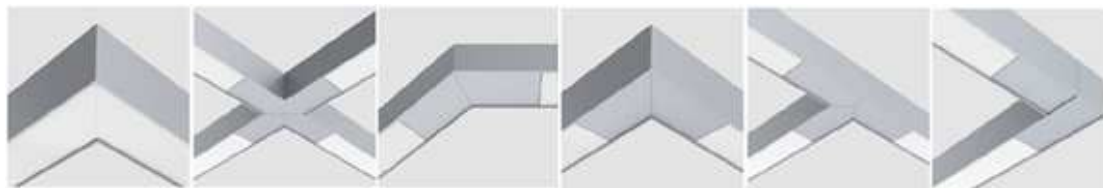
End caps (aluminum die-casting),  
suspension kits, blank parts,  
straight connector, L, T & + shape connectors

### Other specs

\*IP20 rated \*Products could be sold as materials non-assembled

\*Linear system lengths @ any customers' demand, with either shadow-free solution or blank parts

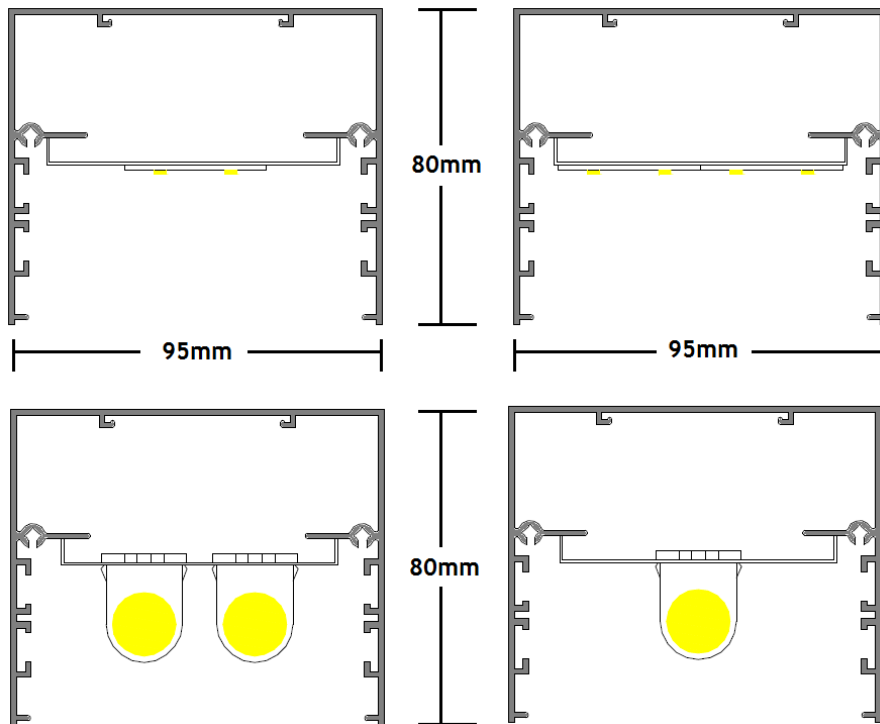
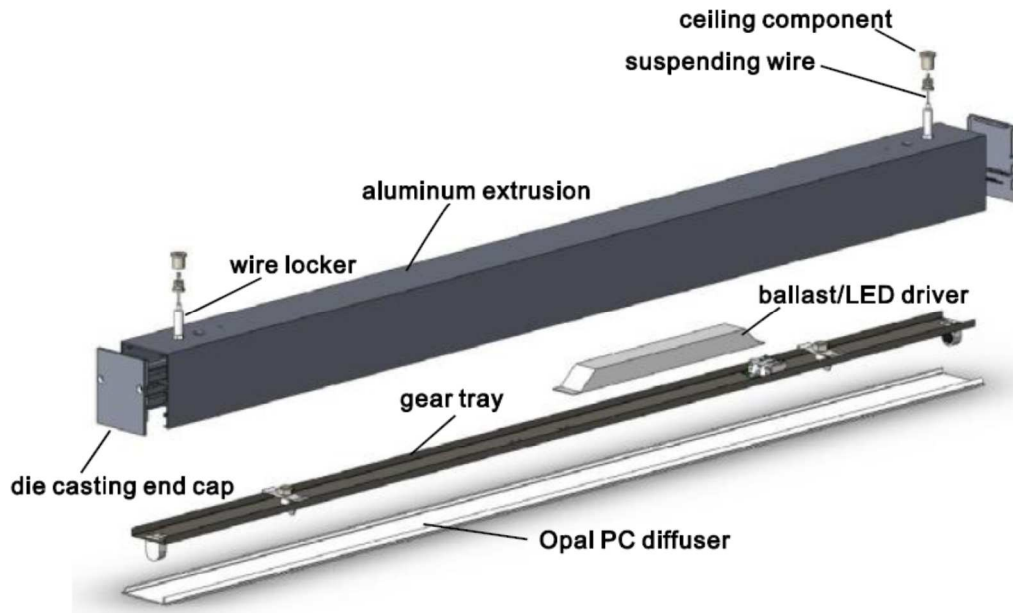
## Connections



## Warranty

2 years for fixtures excluding light source and gears

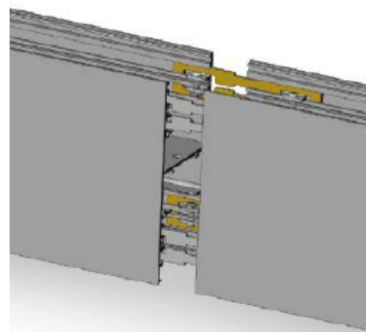
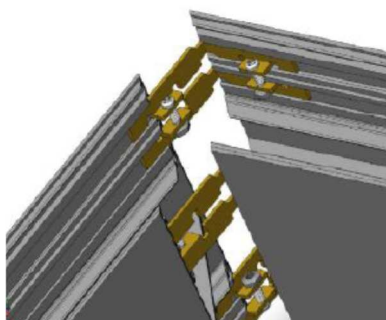




**Connection:**

90 degree connection:

straight connection:



**Specs for LED:**

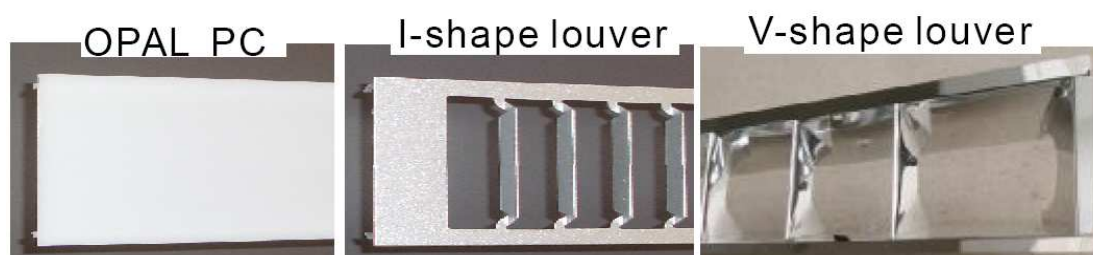
(CRI: 80 above, optional color temperatures: 3000k/4000k/5000k/6000k)

Size (mm)	system wattage (w)	system lumen output (lm)
600*95*80	11.60w	812lm @ constant driving current 350mA
600*95*80	23.20w	1624lm @ constant driving current 350mA
900*95*80	17.40w	1218lm @ constant driving current 350mA
900*95*80	34.80w	2436lm @ constant driving current 350mA
1200*95*80	23.20w	1624lm @ constant driving current 350mA
1200*95*80	46.40w	3248lm @ constant driving current 350mA
1500*95*80	29.00w	2030lm @ constant driving current 350mA
1500*95*80	58.00w	4060lm @ constant driving current 350mA

**Specs for T5 tubes:**

Size (mm)	system wattage (w)	remark
600*95*80	1*14w/2*14w	T5 version
900*95*80	1*21w/2*21w	T5 version
1200*95*80	1*28w/2*28w	T5 version
1500*95*80	1*35w/2*35w	T5 version

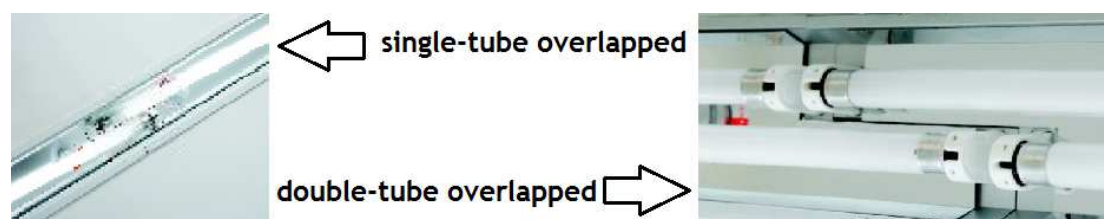
Optional diffusers for T5 tubes version:



How to achieve the shadow-free solution by adoption of T5 tubes?

T5 tubes overlapped at reasonable distance.

See below



**Please contact us, in case you need customize other linear lighting fixtures.**